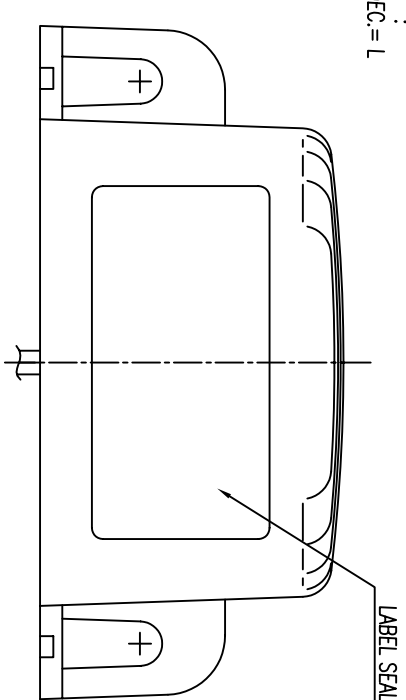
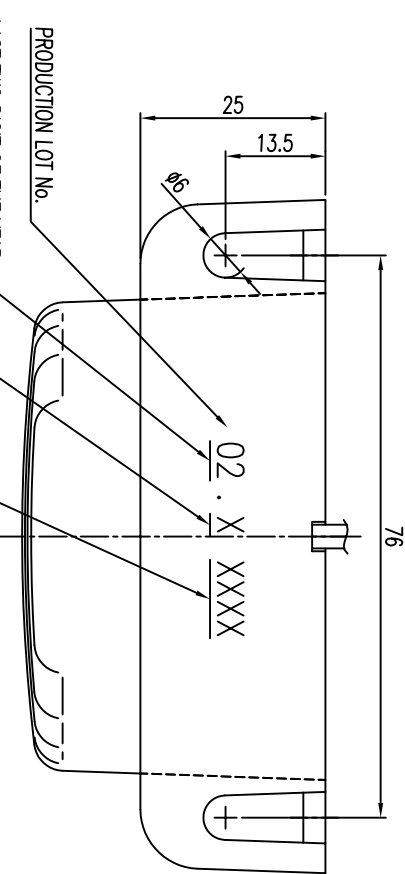


**SPECIFICATIONS**

1. RATED VOLTAGE : 12V, 24V DC
2. WORKING VOLTAGE RANGE : 9V THROUGH 32V
3. RATED CURRENT : LESS THAN 200mA AT RATED VOLTAGE
4. SOUND PRESSURE : 90dB+3dB, -6dB AS DETERMINED AT DISTANCE OF 1M IN FRONT OF BODY AT HEIGHT OF 1M ABOVE GROUND AT RATED VOLTAGE
5. FREQUENCY : 1150±200Hz AS POWERED AT RATED VOLTAGE  
HIGH TONE = 1150±200Hz  
LOW TONE = HIGH TONE MINUS 100Hz
6. DUAL TONE CYCLE RATE : 72±10 CYCLES/MIN. AT RATED VOLTAGE
7. VIBRATION RESISTANCE : REQUIREMENTS SPECIFIED IN 3,4 AND 5 ABOVE SHALL BE SATISFIED AFTER SUBJECTING AS VIBRATED TO 6.8G 33.3Hz(2000C/min.)UP AND DOWN FOR 4HR TO RIGHT AND LEFT FOR 2HR UNDER CLASS 7 JIS D 1610.
8. DURABILITY : REQUIREMENTS SPECIFIED IN 3,4,5 SHALL BE SATISFIED AFTER SUBJECTED TO TEST OF CONSECUTIVE 500hr AT TEST VOLTAGE OF 28.0V±0.5V
9. THERMAL RESISTANCE : REQUIREMENTS SPECIFIED IN 3,4 AND 5 SHALL BE SATISFIED UPON RECOVERY OF ROOM TEMPERATURE AFTER EXPOSED TO +60° AND -20° FOR 1hr
10. WATER RESISTANCE : TO BE FREE FROM ABNORMALITY AFTER TESTED AS SPECIFIED ON No.3,4,5 IN S1 JIS D 0203
11. SURGE VOLTAGE RESISTANCE : TO BE FREE FROM ABNORMALITY FOR UP TO 10msec AT 80 VOLTS



**COPY**



Itemref	Quantity	Title/Name, designation, material, dimension etc	Article No./Reference
Designed by B KHEZR	Checked by DKERAL	Approved by - date 25/06/04	Date 25/06/04
File name DT-32		Scale NA	

**PROPRIETARY NOTICE**  
THIS DESIGN AND TECHNICAL INFORMATION APPEARING ON THIS DRAWING IS THE PROPERTY OF BRIGADE ELECTRONICS PLC, AND IS DISCLOSED IN CONFIDENCE. IT IS NOT TO BE COPIED, REPRODUCED, REVEALED TO OR APPROPRIATE BY OTHERS, EITHER IN WHOLE OR IN PART WITHOUT THE EXPRESS WRITTEN CONSENT OF BRIGADE ELECTRONICS PLC.

<b>BRIGADE ELECTRONICS</b>		<b>DT - 32 (A0994)</b>	
BE-000188-00-04		Edition 0	Sheet 1/1